

A28

1U Passive Cooler

PRODUCT SPECIFICATIONS

Table of Contents

1. PRODUCT DESCRIPTION	2
2. THERMAL PERFORMANCE CURVE.....	2
3. DIMENSION DRAWING.....	3
5. ROHS CERTIFICATE	4

A28 | Socket sTRX4/TR4/SP3

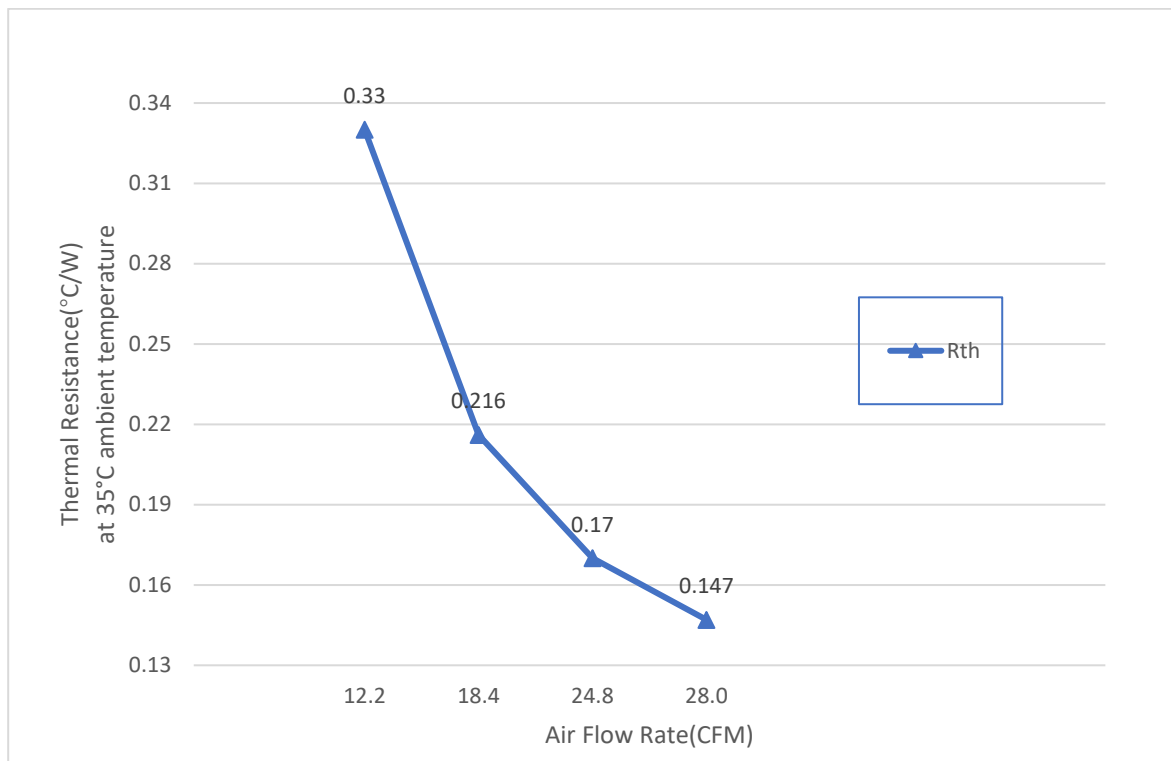
Model Number: A28

- AMD® Ryzen Threadripper Processor, Socket sWRX8, sTRX4, TR4, and AMD® Epyc Processor Socket SP3
- Passive Cooler for 1U Server

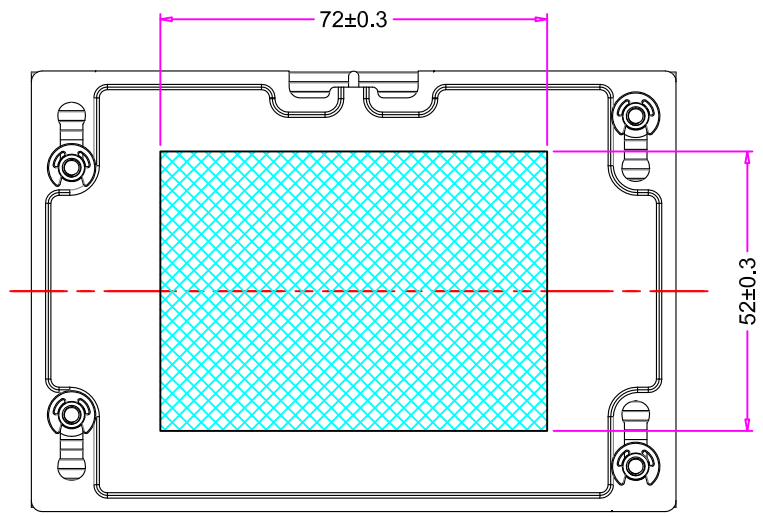
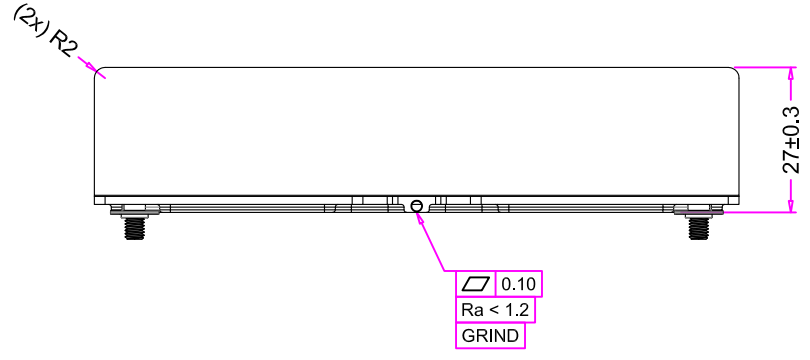
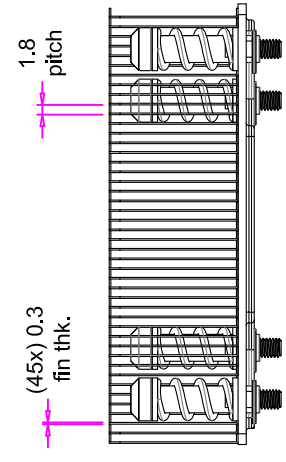
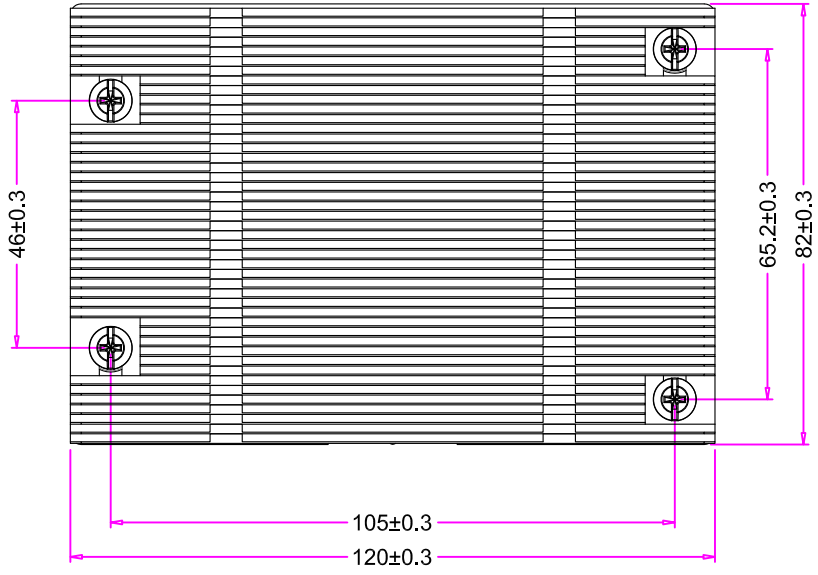
Overall Specification

Dimension	120 x 82 x 27 mm
Weight	450 g
Material	Copper 1100 Vapor Chamber and Stacked Fin
Mounting	Convenient Heat Sink Screw Captive Mounting
Thermal Grease	Shin-Etsu 7762 or Equivalent
TDP	Support CPU Power up to 180 Watts Heat Dissipation

Performance Chart: Passive Cooler A28 Thermal Resistance Thermal Resistance vs. Airflow



REV#	DESCRIPTION	CHECKER	DATE
0.0	INITIAL RELEASE	LANG	07/18/17
1.0	MODIFY WIDTH TO 82mm	LANG	10/10/17



	NAME	DATE
DRAWN BY	engr	10/ 10 / 2017
CHECKED BY	LANG	10/ 10 / 2017
ENG.APPROVED		
MFG.APPROVED	-	-



DYNATRON CORPORATION

TOP MOTOR

TITLE: 1U Passive Cooler **A28**
BOM & Overall Dimension Drawing

CONFIDENTIAL DOCUMENT
THIS DRAWING CONTAINS INFORMATION PROPRIETARY TO DYNATRON CORPORATION AND DYNAEON INDUSTRIAL CO., LTD. ANY REPRODUCTION, DISCLOSURE, OR USE OF THIS DRAWING IS EXPRESSLY PROHIBITED EXCEPT AS DYNATRON CORPORATION AND DYNAEON INDUSTRIAL CO., LTD. MAY OTHERWISE AGREE TO IN WRITING.

VIEW	
UNITS	MM

DWG. No:	DYN-BD-A28
----------	------------

REV.	1.0
------	-----

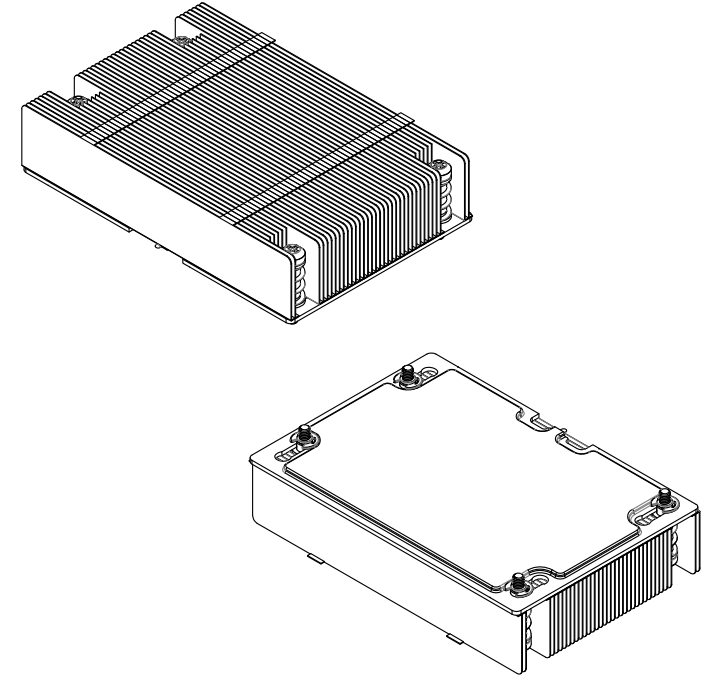
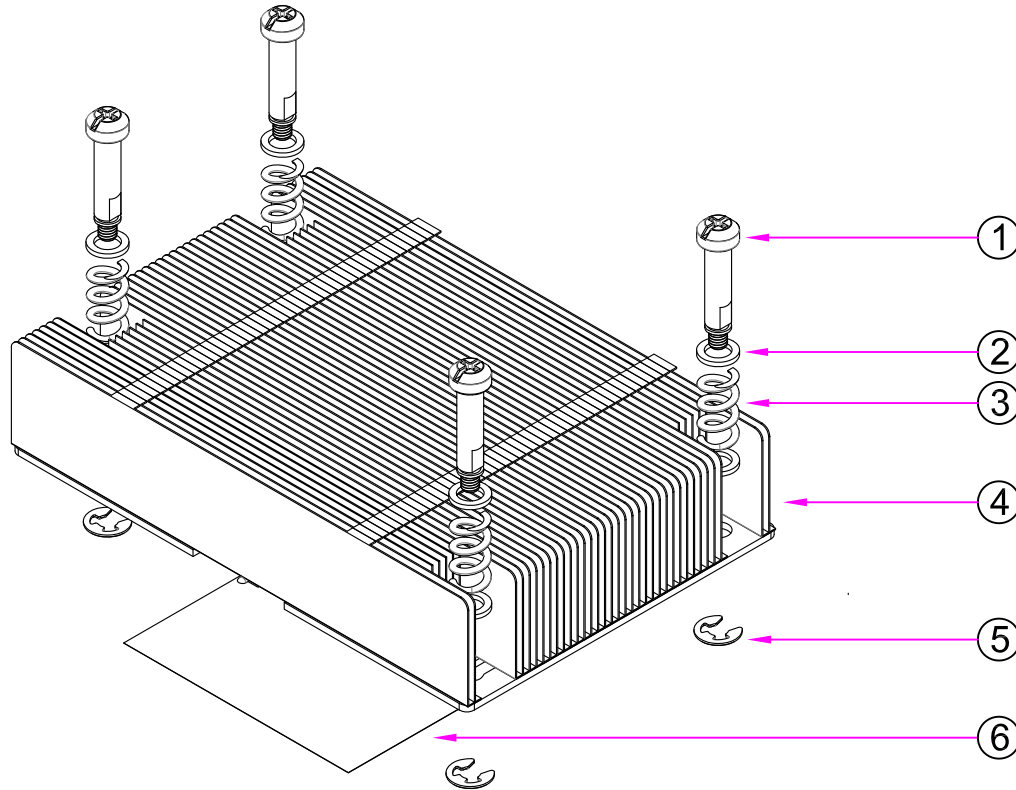
CONFIDENTIAL DOCUMENT

THIS DRAWING CONTAINS INFORMATION PROPRIETARY TO DYNATRON CORPORATION AND DYNAEON INDUSTRIAL CO., LTD. ANY REPRODUCTION, DISCLOSURE, OR USE OF THIS DRAWING IS EXPRESSLY PROHIBITED EXCEPT AS DYNATRON CORPORATION AND DYNAEON INDUSTRIAL CO., LTD. MAY OTHERWISE AGREE TO IN WRITING.

REV#	DESCRIPTION	CHECKER	DATE
0.0	INITIAL RELEASE	LANG	07/18/2017
1.0	MODIFY WIDTH TO 82mm	LANG	10/10/2017

ASSEMBLY PARTS


WHOLE SET OF HEATSINK



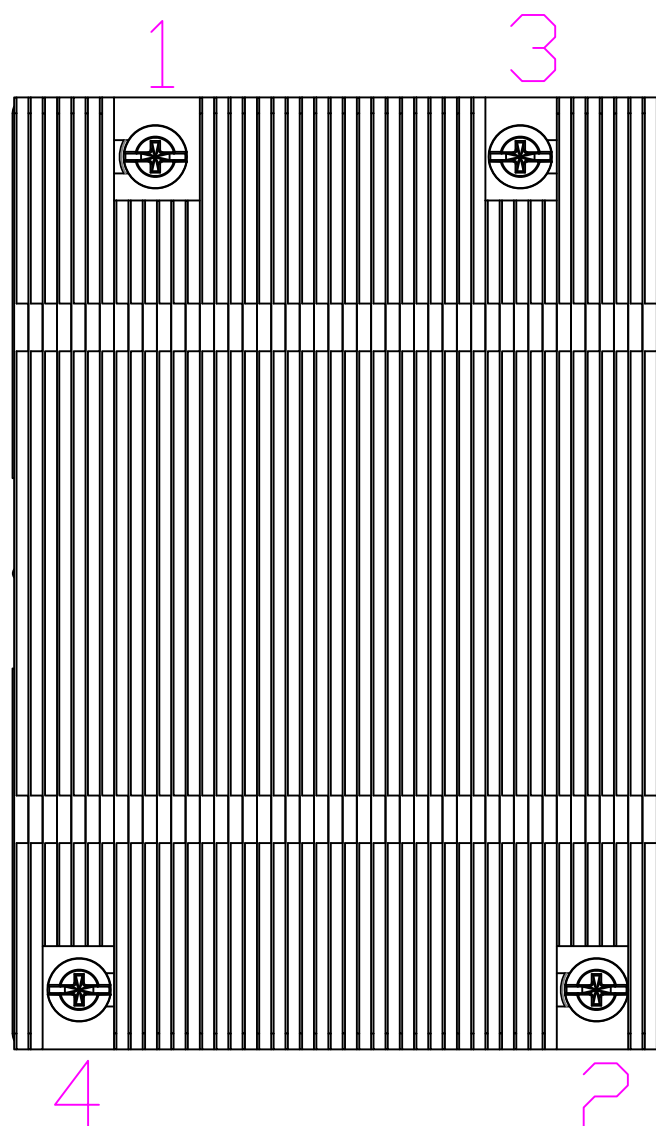
6	THERMAL GREASE, PRE-PRINTED	SHIN-ETSU 7762	1
5	C-CLIP	STEEL	4
1	HEATSINK, STACKED FINS	COPPER1100 VC BASE COPPER FIN	1
3	SPRING (0850)	SWP	4
2	WASHER	STEEL	8
1	SCREW, HEATSINK (4380)	STEEL	4
ITEM#	DESCRIPTION	MATERIAL	QTY.

NOTES:

1. THE FIGURE IS FOR REFERENCE ONLY, AND NOT FOR SCALE
2. OVERALL DIMENSION : 120 x 82 x 27 mm
3. OVERALL WEIGHT : 450 g

DATE	NAME	 DYNATRON CORPORATION			
DRAWN 10/10/2017	Engr	TITLE: 1U Active Cooler A28 BOM & Exploded Assembly Drawing			
CHECKED 10/10/2017	LANG				
ENG. APPR.					
MFG. APPR.					
Q.A.					
COMMENTS:		DWG. No:	DYN-EP-A28 <table border="1" style="float: right;"> <tr> <td>REV</td> <td>1.0</td> </tr> </table>	REV	1.0
REV	1.0				

SOCKET SP3/TR4/sTRX4/sWRX8 COOLER INSTALLATION INSTRUCTION



HEATSINK ASSEMBLY
ORDER 1,2,3,4

HEATSINK DISASSEMBLY
ORDER 4,3,2,1

TORQUE = 6.1 KG -CM MAX

ALL SCREWS SHOULD BE
TIGHTENED/RELEASED EVENLY, AVOIDING
TIGHTENING/RELEASING ANY SCREWS TO THE
BOTTOM/TOP AT ONCE



Certificate of Environment Protection 環保證明書

Document Number: RH_A28-R0

Customer: 客戶名稱:	Company: _____ Address: _____ Phone Number: _____ - _____ - _____
Issue Date:	10/10/2017
Product Model Number:	A28
<p>Dynatron Corporation hereby declares and certifies that all components manufactured are RoHS compliant according to the definitions and restrictions given by the European Union's Restriction (Directive 2002/95/EC) (Decision 2011/65/EU) RoHS 2, on the restriction of the use of certain Hazardous Substances in the electrical and electronic equipment. Also, compliance to the most recent list of substances on the REACH candidate list.</p> <p>Number of substances on the Candidate List: 168 (last updated: 17/12/2015)</p> <p>No exemptions are claimed in order for the part to be compliant with the RoHS directive.</p> <p>Dynatron Corporation / 政久興業股份有限公司 證明所有產品, 零件 (包括附屬品, 包裝類) 之環境管理物質完全符合 RoHS, WEEE, 及該環保標準之規定, 並承諾遵循以上之證明。</p> <p style="text-align: right;">Dynatron Corporation. 33200 Western Ave, Union City, CA 94587 www.Dynatron-corp.com</p> <p>Title (職務): _____ ASSISTANT-MANAGER _____</p> <p>Signature (簽字): _____ <i>Alan Lee</i> _____</p> <p style="text-align: right;">Date: 10 / 10 / 2017</p>	